

Rivet Hinge (Temple Side)

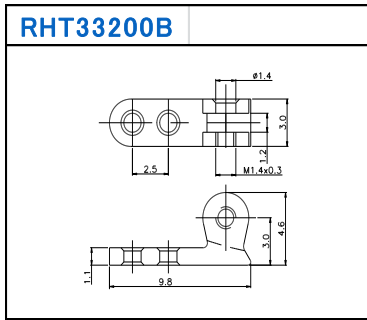
Rivet hinge often bothers developers because it can have a too wide variety of different hinge width, barrels, inclinations and so on. Therefore, we would like to recommend our customers to find suitable hinges for your frames from our standard rivet hinges.

***We are also able to produce customized products.**

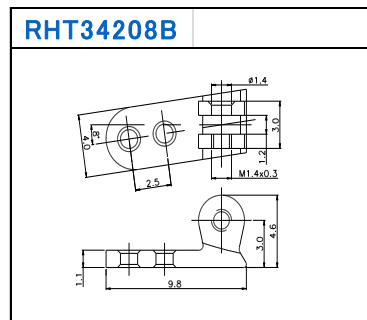


Temple Side Hinge (9 types)

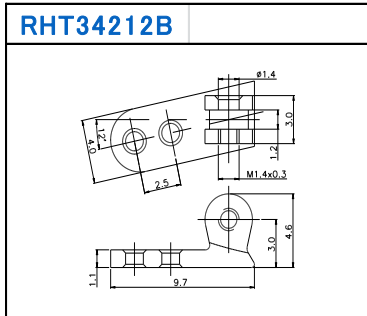
For 3 barrel hinge/2 barrels



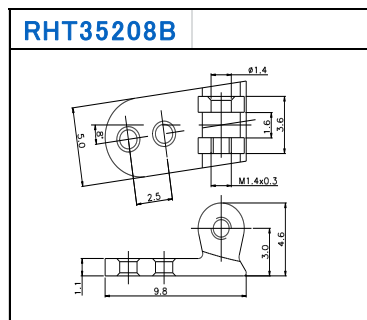
Screw type : M1.4
Hinge width : 3.0mm
Barrels : 2
Inclination : 0°
Rivet holes : 2



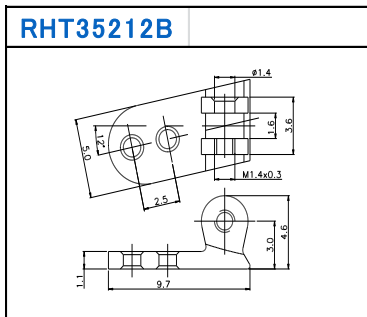
Screw type : M1.4
Hinge width : 4.0mm
Barrels : 2
Inclination : 8°
Rivet holes : 2



Screw type : M1.4
Hinge width : 4.0mm
Barrels : 2
Inclination : 12°
Rivet holes : 2

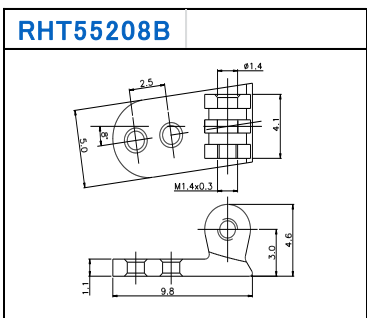


Screw type : M1.4
Hinge width : 5.0mm
Barrels : 2
Inclination : 8°
Rivet holes : 2

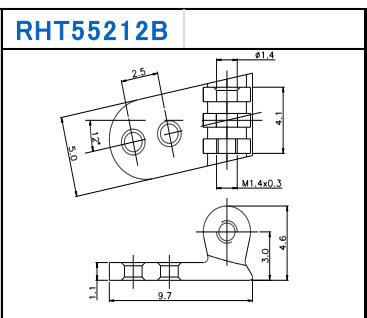


Screw type : M1.4
Hinge width : 5.0mm
Barrels : 2
Inclination : 12°
Rivet holes : 2

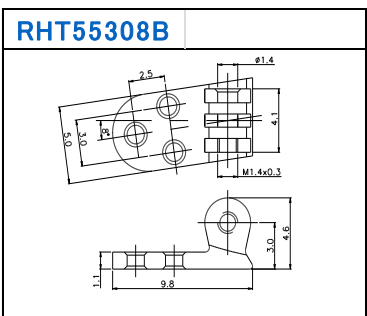
For 5 barrel hinge/3 barrels



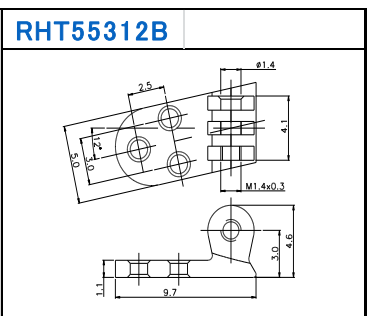
Screw type : M1.4
Hinge width : 5.0mm
Barrels : 3
Inclination : 8°
Rivet holes : 2



Screw type : M1.4
Hinge width : 5.0mm
Barrels : 3
Inclination : 12°
Rivet holes : 2



Screw type : M1.4
Hinge width : 5.0mm
Barrels : 3
Inclination : 8°
Rivet holes : 3



Screw type : M1.4
Hinge width : 5.0mm
Barrels : 3
Inclination : 12°
Rivet holes : 3