

# Hinge on Wire

«For acetate frames»

TC-001



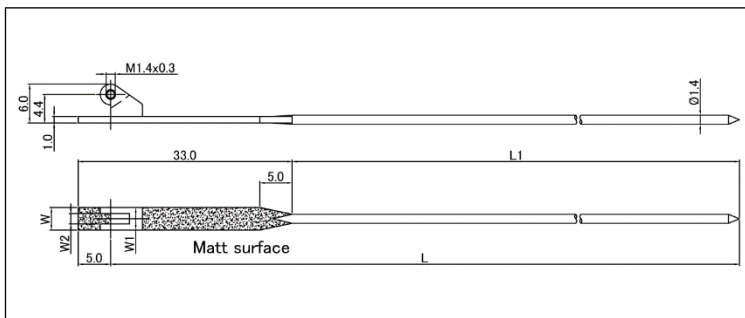
WC series



90 degrees front hinge for TC-001



# TC-001 Material : NS / Nickel plated



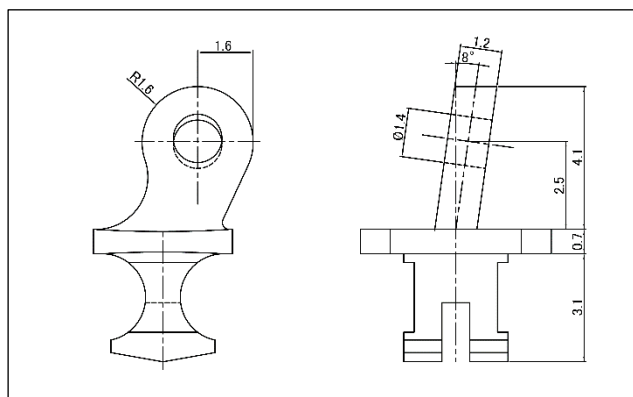
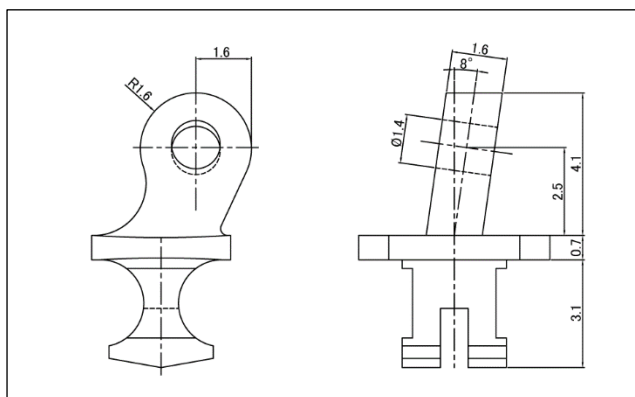
Model No	L : XXX	L1	W	W1(Hinge)	W2
TC-001/2.5-XXX	135	107	2.5	2.5	1.2
	130	102			
	125	97			
TC-001/3.0-XXX	135	107	3.0	3.0	1.2
	130	102			
	125	97			
TC-001/3.5-XXX	135	107	3.5	3.5	1.6
	130	102			
	125	97			
TC-001/4.0-XXX	135	107	4.0	4.0	1.6
	130	102			
	125	97			

## 90 degrees front hinge for TC-001

Material : NS / Nickel plated

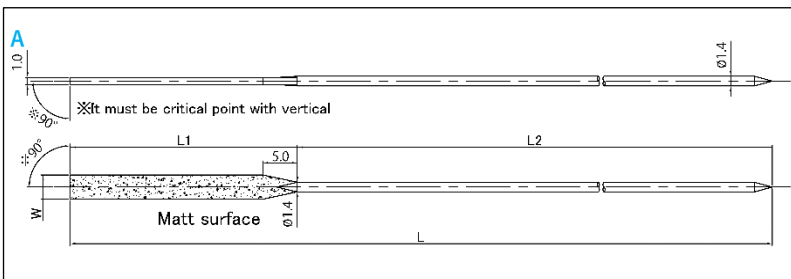
33-02918

33-02919



## WC series

Material : NS / Nickel plated (No plated version is also possible.)



Model No	L:XXX	L1	L2	W
WC-001/3.5-XXX	141	33	108	3.5
	135		102	
WC-007/3.5-XXX	150	48	102	3.5
	145		97	
	140		92	
WC-007/4.5-XXX	150	48	102	4.5
	145		97	
	140		92	
WC-009/3.0-XXX	145	27	118	3.0
	141		114	
WC-010/3.0-XXX	145	40	105	3.0
	140		100	
WC-010/4.0-XXX	145	40	105	4.0
	140		100	

**Note:** The width of A is 1.1mm (not 1.0mm) only for WC-007/4.5-XXX.

The matt surface is available in three roughness levels as an option.