

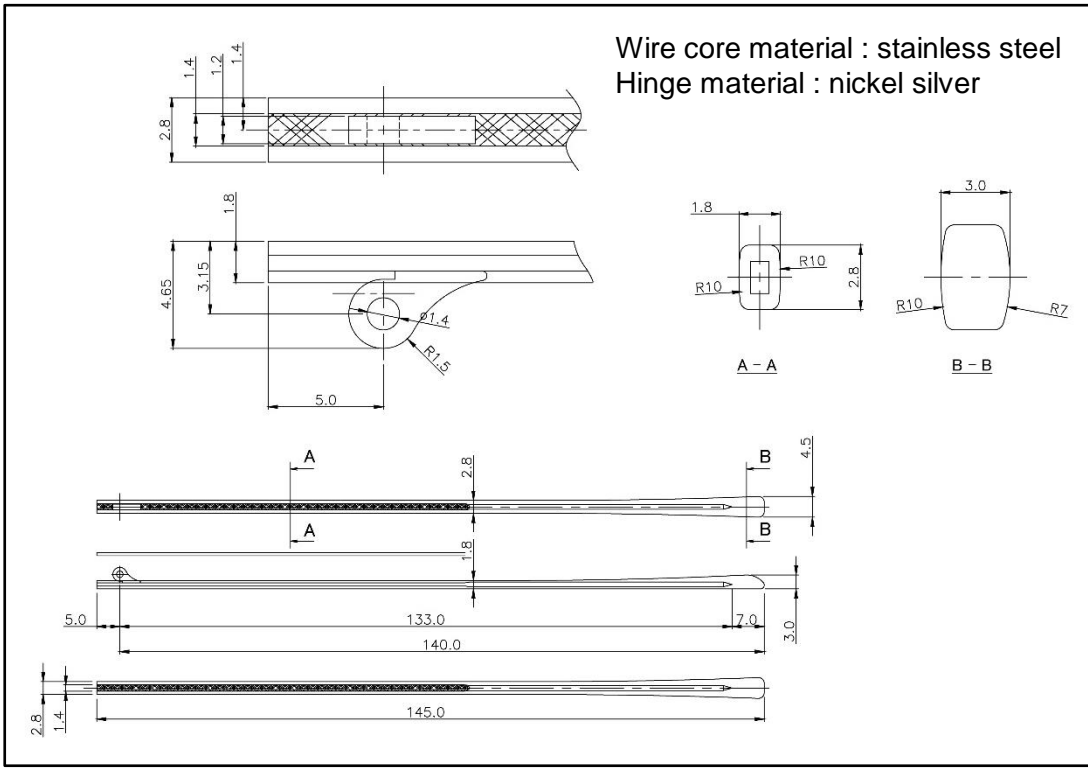
SUPER THIN TEMPLE Vol.2

LINEA V2

Besides the very thin and flexible advantage, by using transparent acetate material, various nice designed wire core displaying is another characteristic feature.



STA-05

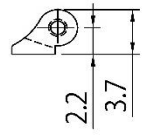
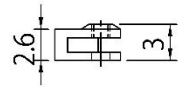


Wire core material : stainless steel
Hinge material : nickel silver

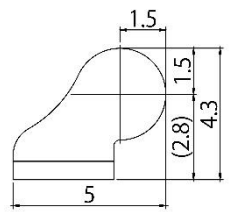
Front Hinge

Material:
nickel silver

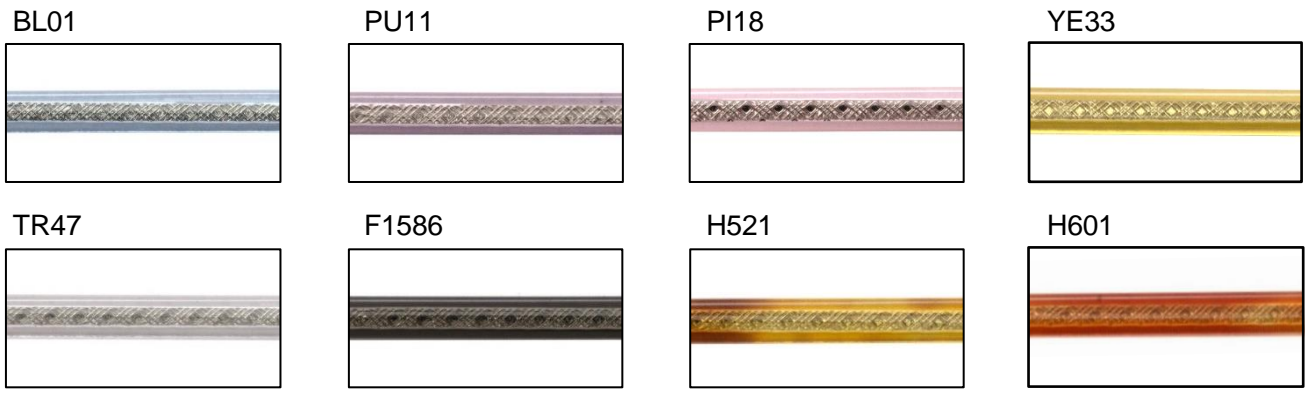
51-01916



Hinge profile



Colorful temples with nice Designed Wire Core



Various Acetate Selections

We have **182 standard colors**. You can check all of them on our web page.
<https://www.eurovision.co.jp/en/acetate/color.html>



And all colors from **our partner manufacturers** are also available. We will arrange the acetate orders directly.

- 
金余(JINYU) <http://www.jinyuplastic.com/Col/Col1/Index.aspx>
- 
集美(JIMEI) <http://www.jimei123.com/index.php?&setlang=en>
- 
金亮(JINLIAN) <http://jinliang.hk>