

Ceramic Temple-end Decoration

Temple-end decoration made of Ceramic. Creating a new design value and also functioning as a weight balancer of the frame.



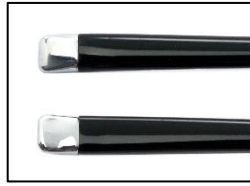
EV-402CM Ceramic Color Variations (5 colors)



White
(material color)



Dark gunmetal
(material color)



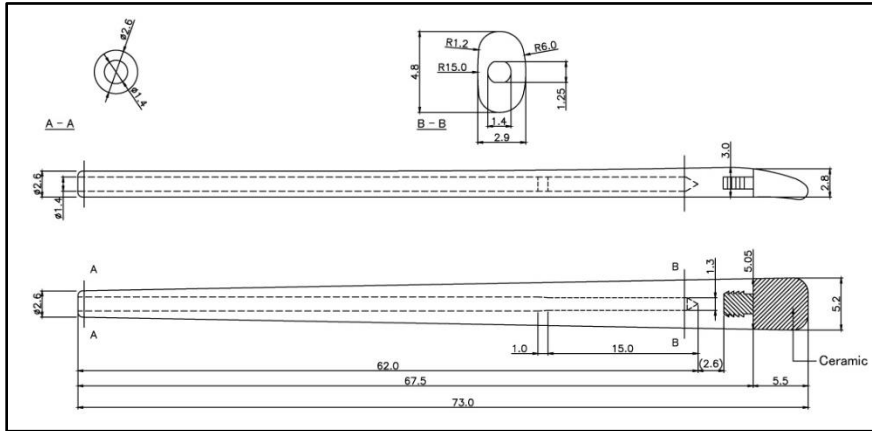
Silver
(PVD color)



Gold
(PVD color)



Pink gold
(PVD color)



Ceramic parts are glued.
This glue complies with
REACH regulations.

Various Acetate Selections

We have **182 standard colors**. You can check all of them on our web page.

<https://www.eurovision.co.jp/en/acetate/color.html>



And all colors from **our partner manufacturers** are also available. We will arrange the acetate orders directly.



金余(JINYU)

<http://www.jinyuplastic.com/Col/Col1/Index.aspx>



集美(JIMEI)

<http://www.jimei123.com/index.php?&setlang=en>



金亮(JINLIANG)

<http://jinliang.hk>

BTT-05D Ceramic Color Variations (6 colors)



White
(material color)



Black
(material color)



Silver
(PVD color)



Gold
(PVD color)



Champagne gold
(PVD color)



Pink gold
(PVD color)

