

Titanium nose pad TP-700

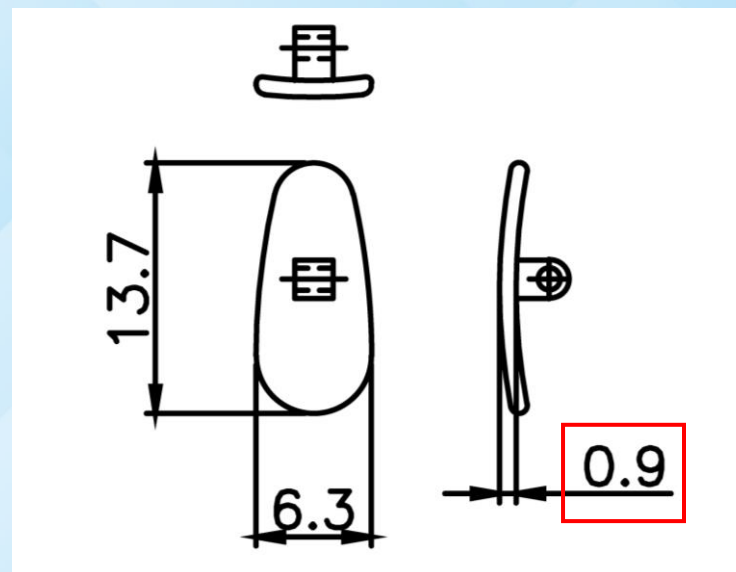
TP-700 has been added to the titanium nose pad series!

It is **the thinnest pad** in the series with a thickness of “**only 0.9 mm**”.

M1.2 for Asian market, M1.0 for European market, and Click-in type are all available.

PVD colors, Plating colors(non nickel), and Laser engraving are also available.

Please feel free to contact us for questions or further explanation!



Please feel free to contact us for questions at euro@eurovision.co.jp