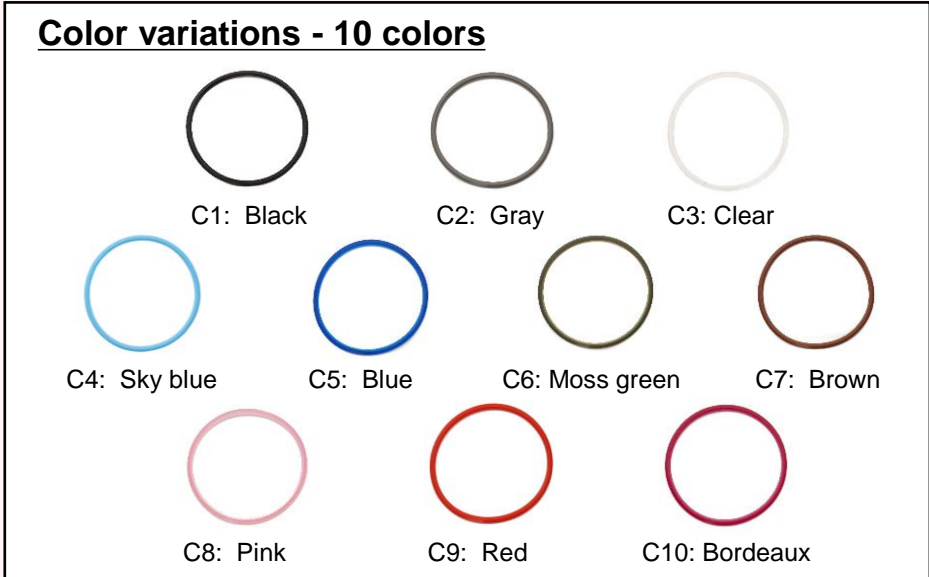
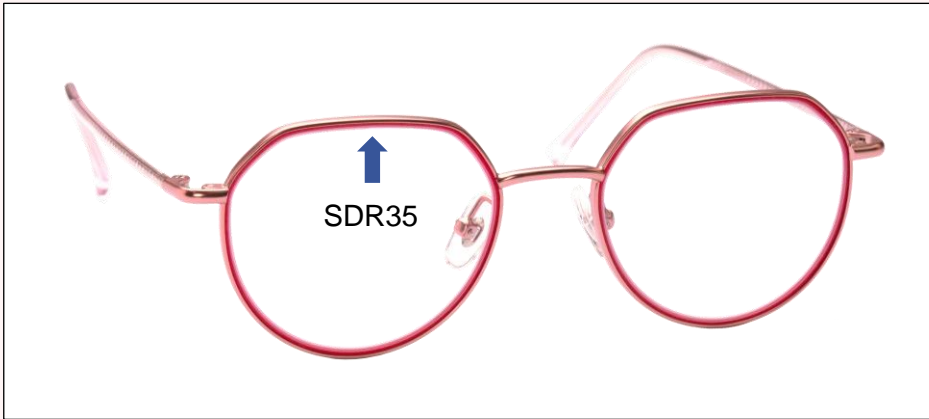


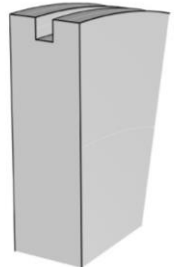


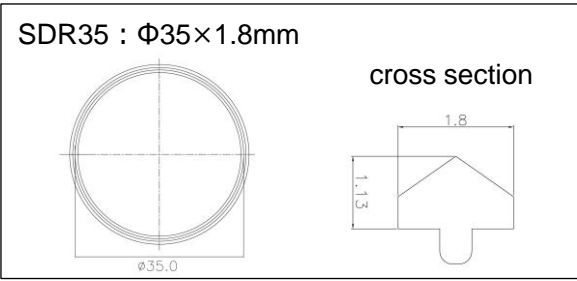
SDR35 is very popular for its groundbreaking idea. However, we have received feedback that its attachment was difficult. Therefore, we have uploaded the video "How to attach SDR35 to the Lens" on YouTube.

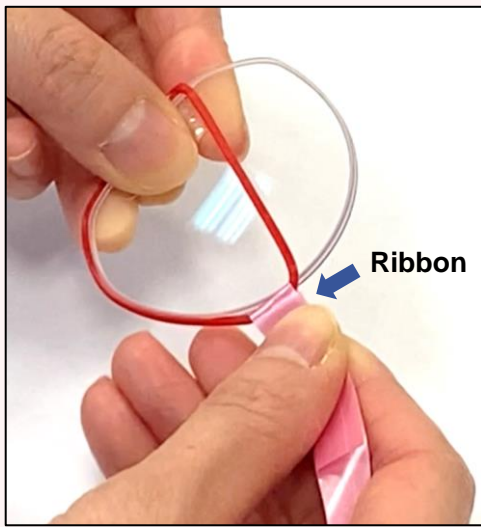


**Features of SDR**

-  → It can be used for the general V groove of a full-rim frame.
-  → It can be fitted for ALL lens shapes because it is made from silicone.
-  → Please make the lens cut with a regular half-rim cut.

SDR35 :  $\Phi 35 \times 1.8\text{mm}$





Please watch the YouTube video by **clicking on the URL** or **scanning the QR code** below!



<https://youtu.be/Mt1LVawMv20>

